

OMEGA SHAPED POSTS STANDARD PANELS

General description

Auto bearing panels by proper posts, steel quality S 235 JR, hot-dip galvanization according to UNI EN ISO 1461 standard.

Main features:

- Height: 2000 mm
- "U" section frame in 30x60x30 mm: 3 mm thickness;
- corrugated wire square and interlaced mesh net: 3mm thickness;
- omega shaped posts 20x70x70 mm: 4 mm thickness, 2250mm height;
- optional plate: 2mm thickness, sendzimir galvanization for lower half part.

WHOLE NET

MESH 30 × 30

Centre distances (mm)	Weights (kg/m)
2667	30,05
3000	28,22
3600	25,94
4000	25,05

MESH 30 × 30

Centre distances (mm)	Weights (kg/m)
2667	26,83
3000	24,87
3600	22,52
4000	21,75

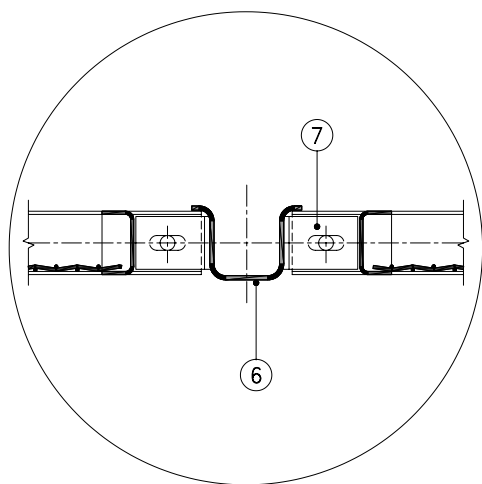
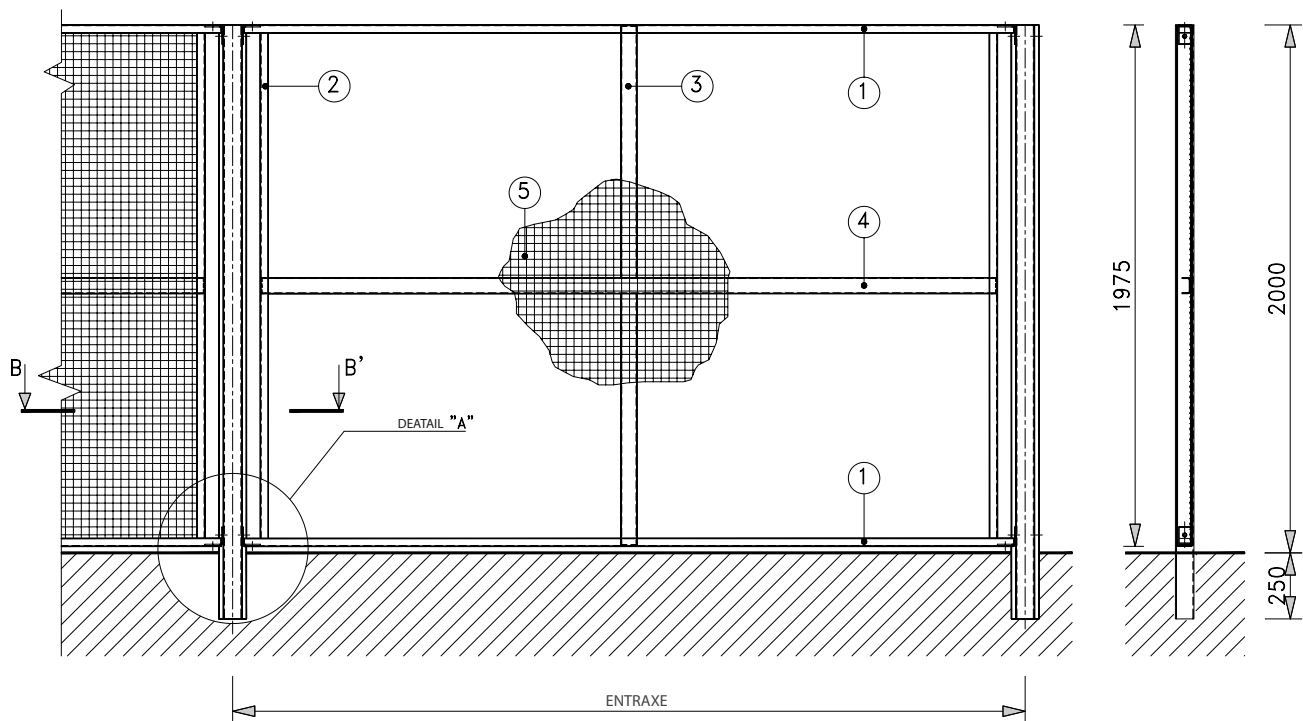
NET AND PLATE

MESH 30 × 30

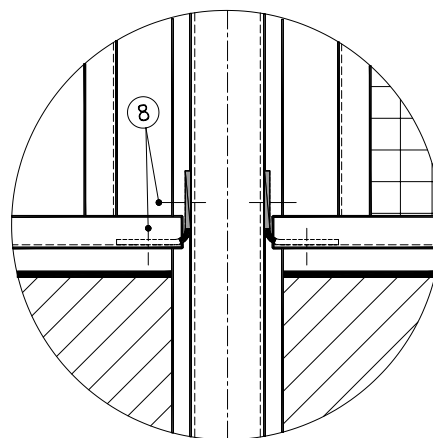
Centre distances (mm)	Weights (kg/m)
2667	38,25
3000	36,56
3600	34,47
4000	39,46

MESH 30 × 30

Centre distances (mm)	Weights (kg/m)
2667	37,30
3000	35,01
3600	32,92
4000	38,75



SECTION B-B'



DETAIL "A"

1	Upper and Lower "U" section plate	6	"omega" shaped supporting post
2	Panel "U" section posts	7	"L" - braket
3	"U" section distance vertical breaker	8	Bolts M10
4	"U" section distance horizontal breaker		
5	Corrugated net wire of \varnothing 3 mm		