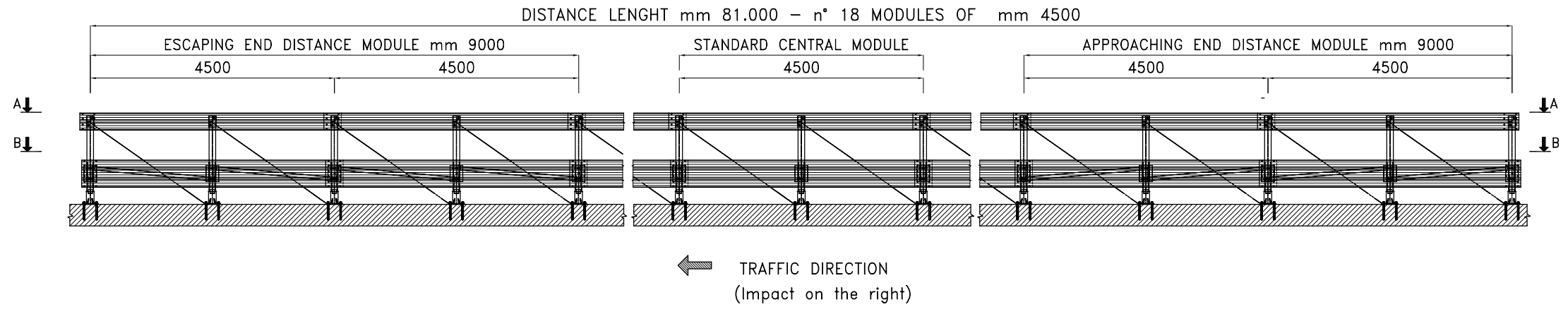
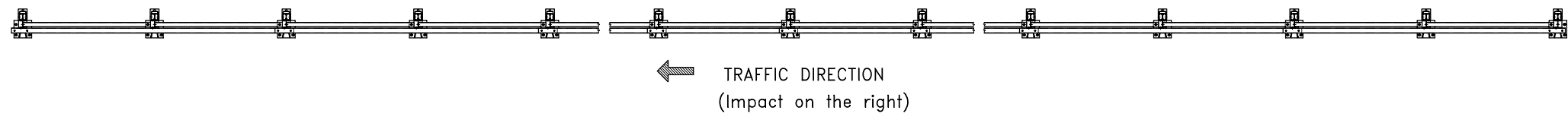


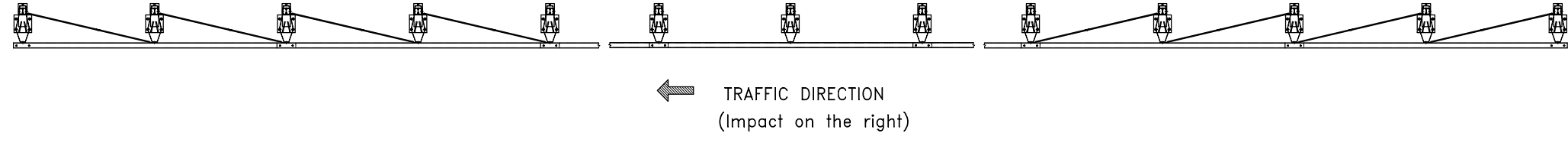
# FRONT VIEW



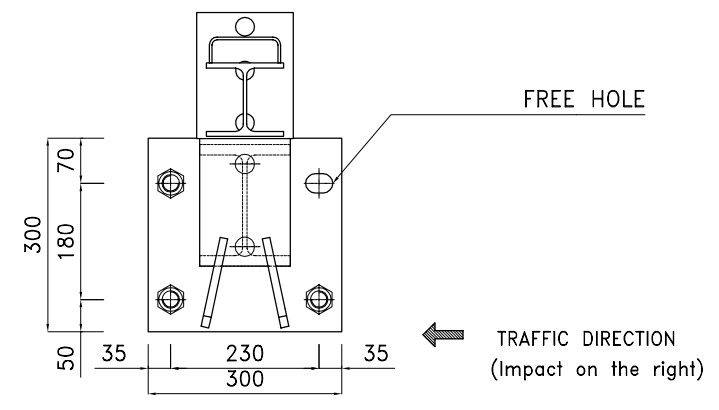
# VIEW FROM "A" - W-BEAM



# VIEW FROM "B" - THRIE BEAM



# PLATE JUNCTURE DETAIL



TIGHTENING COUPLES BOLTS M16x30/48 - Kgm 17,4